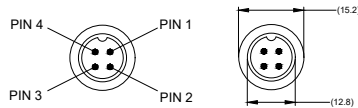


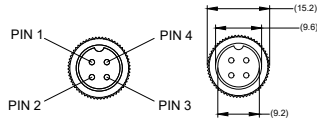
VIEW A



4 PIN MALE MATING FACE

PIN #	WIRE COLOUR	DESCRIPTION
1	RED	+12v
2	BLACK/SHIELD	GND
3	WHITE	AUDIO
4	YELLOW	VIDEO

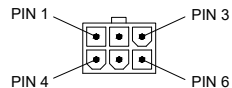
VIEW B



4 PIN FEMALE MATING FACE

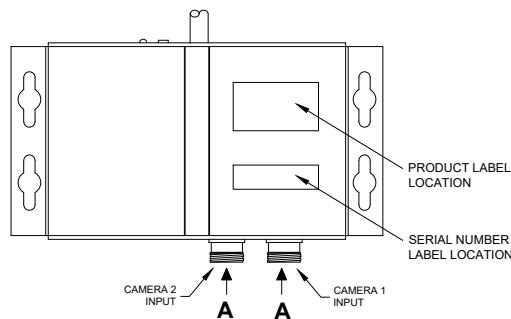
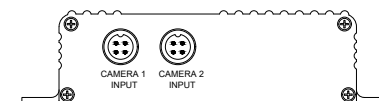
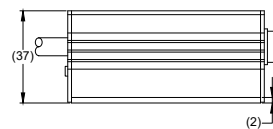
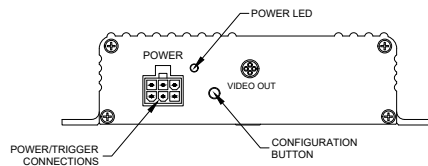
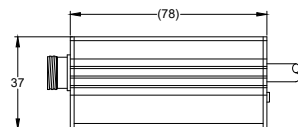
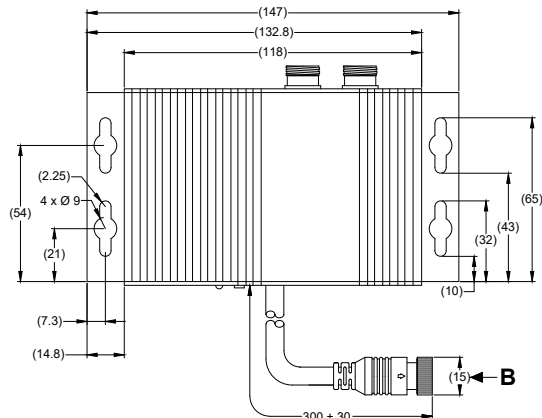
PIN #	WIRE COLOUR	DESCRIPTION
1	NOT CONNECTED	N/A
2	BLACK/SHIELD	GND
3	WHITE	AUDIO
4	YELLOW	VIDEO

VIEW C



6 PIN MALE MATING FACE

PIN #	WIRE COLOUR	DESCRIPTION
1	N/A	NO CONNECTION
2	BLACK	GND
3	RED	+12/24V
4	WHITE	CA1 VIEW ONLY
5	BLUE	CA2 VIEW ONLY
6	BROWN	SPLIT VIEW



- NOTES:**
- REFER TO PRODUCT CERTIFICATION OR INSTALLATION GUIDE FOR MORE DETAILS.
 - FOR ALL LABELS AND PACKING REFER TO MASTER BOM.
 - FIRMWARE VERSION SV-HMU317-MP-J03A-V11 TO BE PRELOADED TO THE BOARD.
 - HOUSING MATERIAL: EXTRUDED ALUMINIUM 6063
 - FINISH: BLACK COLOUR.

PROPRIETARY NOTICE

THIS DESIGN AND TECHNICAL INFORMATION APPEARING ON THIS DRAWING IS THE PROPERTY OF BRIGADE ELECTRONICS, AND IS DISCLOSED IN CONFIDENCE. IT IS NOT TO BE COPIED, REPRODUCED, REVEALED TO OR EXPROPRIATED BY OTHERS, EITHER IN WHOLE OR IN PART WITHOUT THE EXPRESS WRITTEN CONSENT OF BRIGADE ELECTRONICS.



Assembly Pl Approval W. XIA	Approved by R. Pentley	Checked by L. CHEUNG	Drawn by D. FOALE
Angle of Projection 	Units mm	Scale N/A	Released 19/08/22
	Status RELEASED	SS-H002-ECU	
	Part No 7179	BE-004685-00-22	